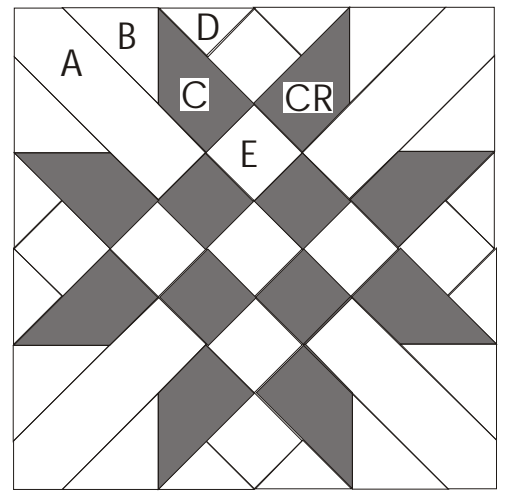


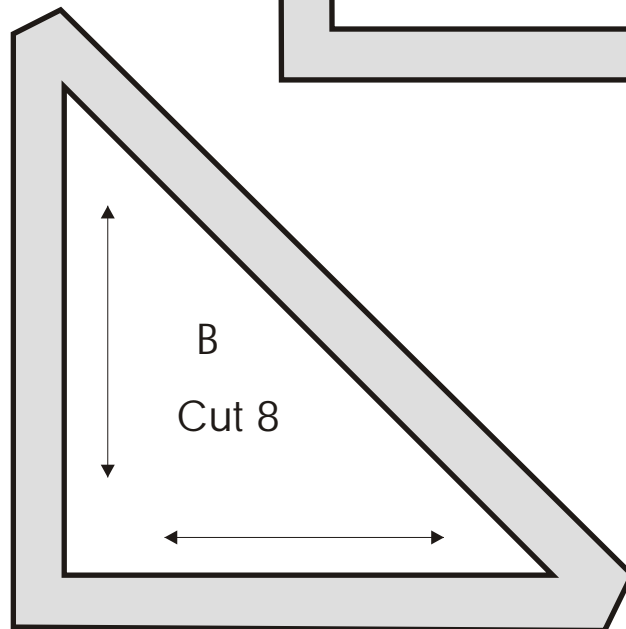
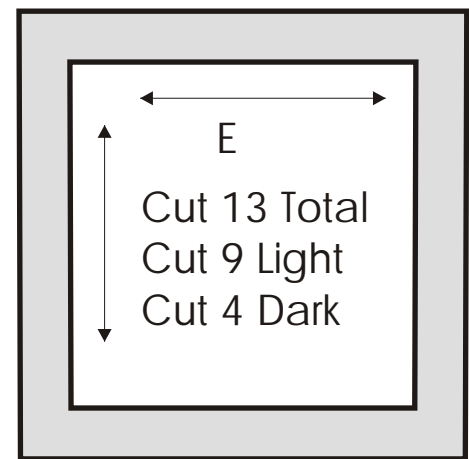
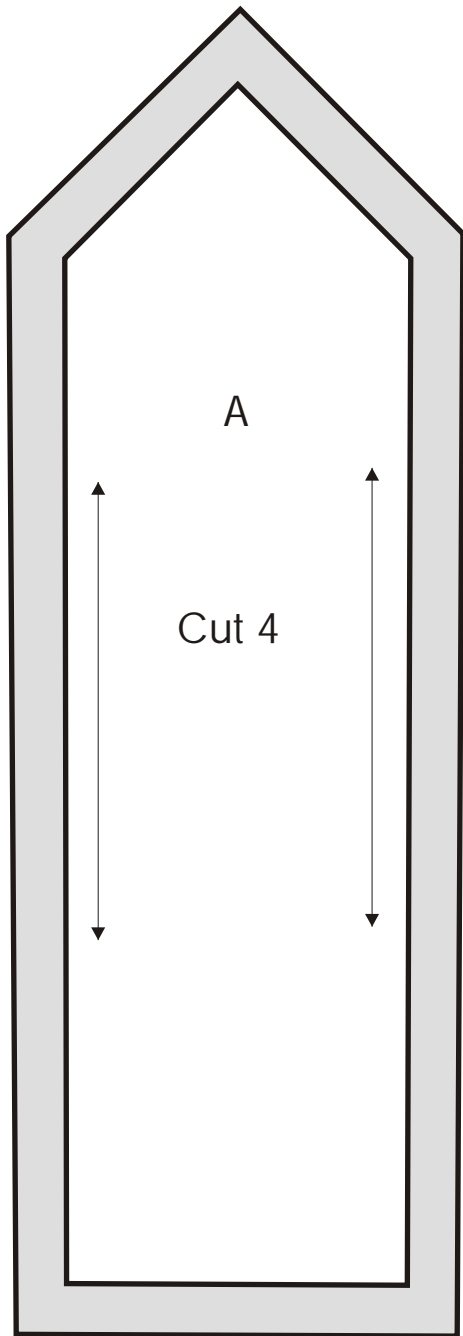
Railroad Crossing

Nancy Cabot

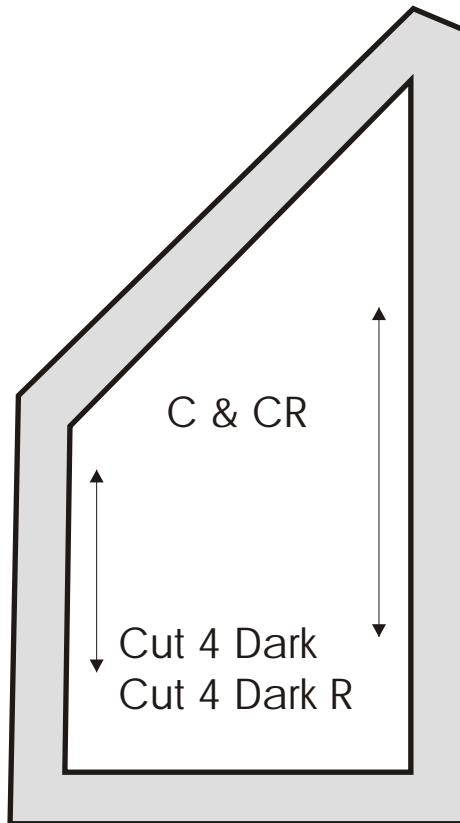
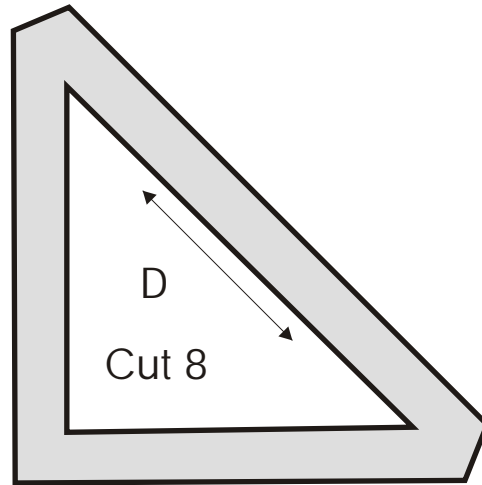
Note: Arrows indicate where the straight grain of fabric should be when placing templates. If there aren't any arrows use the written notes for layout instructions.



12 Inch Block



Railroad Crossing



Note: the C pattern piece has a mirror image. Make sure you flip over the template when you are marking so that you get both the C and CR (reverse) pieces.

Railroad Crossing

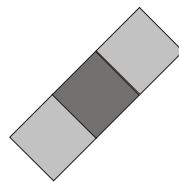
Assembly Instructions

Make your templates, you can either make them with the 1/4 seam allowance included or without. I prefer without. Or you can make 2 sets of templates one with the seam allowance and one without.

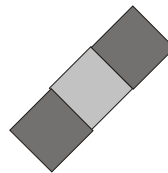
Mark and cut the number of pieces of each unit as noted on each template. Watch your grain lines. I used 3 colors for my piecing, a Dark, Medium and a Light. But you can select your own colors and values. I suggest a contrasting color or value between the -A- and -B- & -D- units. Note: when you are marking the fabric for pattern piece -C- that 1/2 of the pieces are with the pattern flipped so that you get pieces with the angle on the left and right.

- 4 of -A- in a Med or Light Fabric
- 8 of -B- in a Fabric that contrasts with -A-
- 4 of -C- in a Dark Fabric
- 4 of -CR- in a Dark Fabric (flip the template over)
- 8 of -D- in the same fabric you picked for -B-
- 13 Total of E Cut 9 in a Light/Med fabric (5 and 4)
and 4 in a Dark Fabric.

To assemble this block first sew the 4 Dark -E-'s and 5 of the Light/Med -E- together to assemble the center nine patch square. Sew 2 light/Med to a center Dark. Sew 2 of these units.



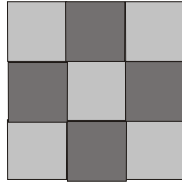
Then sew 2 Dark -E-'s to a center light/Med



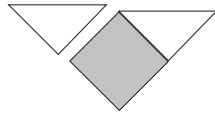
Railroad Crossing

Assembly Instructions Continue

Sew the three units together with the light/med square in the middle. Your finished square should look like this



Next sew the 4 outside edge center triangle units. It is made from the 2 -D- triangles and one -E- square. Sew one -D- to one side of -E-, then sew the second -D- to the -E-&-D- unit so that it forms a right angle triangle.

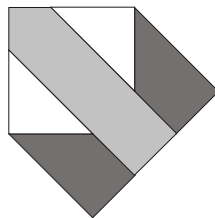


Sew 4 of these units.

To make the corner units, first sew the -B- triangle to the polygram -C- & -CR- to make a long polygram unit. Sew all 8.



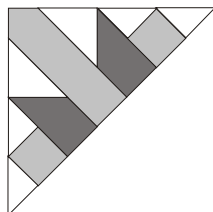
Next sew one -B-&-C- and one -B-&-CR- unit to the -A- pattern piece. This gives you the four corner units for the block. They should look like this



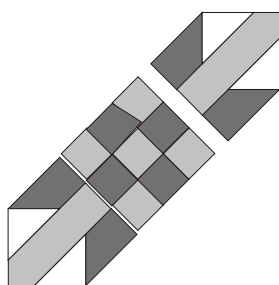
Railroad Crossing

Assembly Instructions Continue

Then take one of these units and sew 2 of the -D-E- triangle units to it, one on each side. This creates a large triangle section, sew 2 of these sections. They should look like this:



Take the 2 remaining corner units and sew them to the center nine patch square.



The last step is to sew the 2 large triangle units to the center section. This completes the block.

