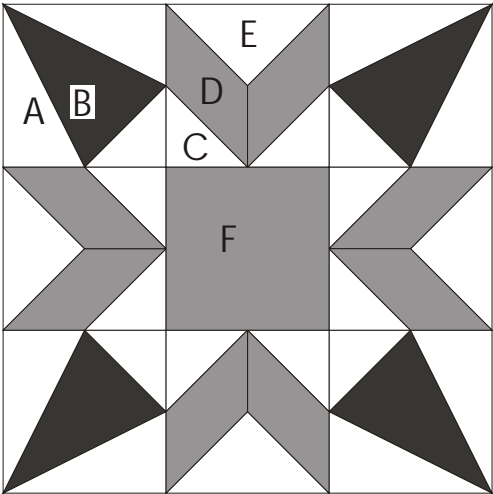


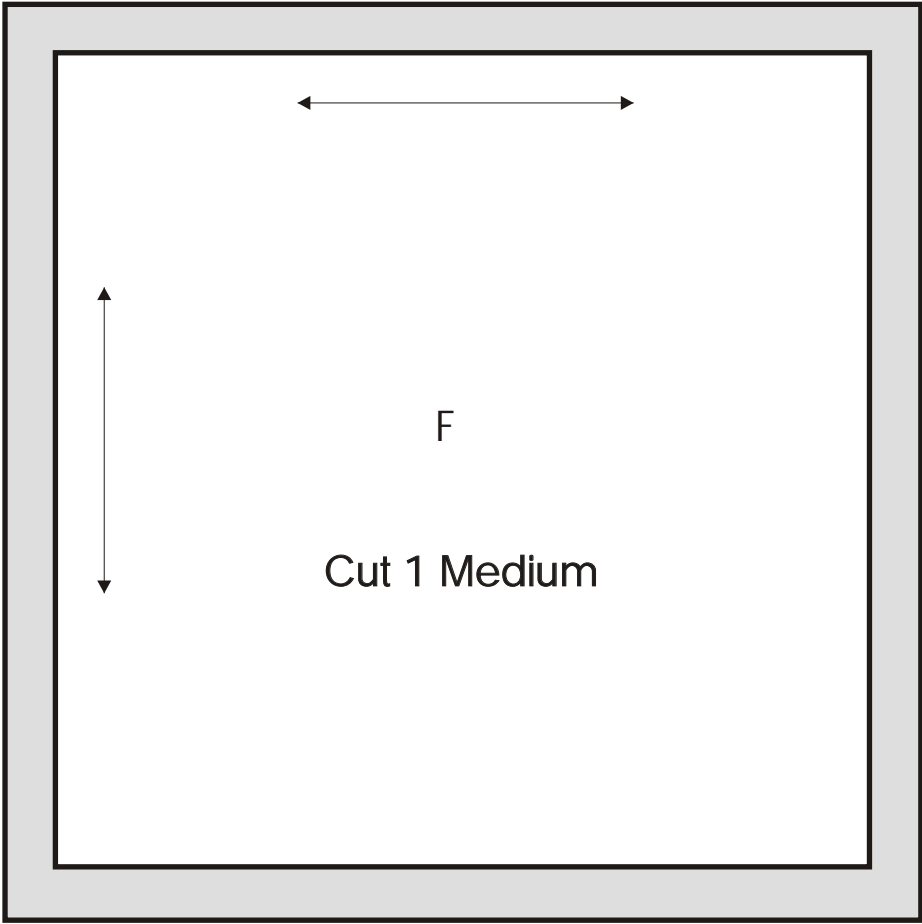
# Prairie Queen

Appox. 1880's

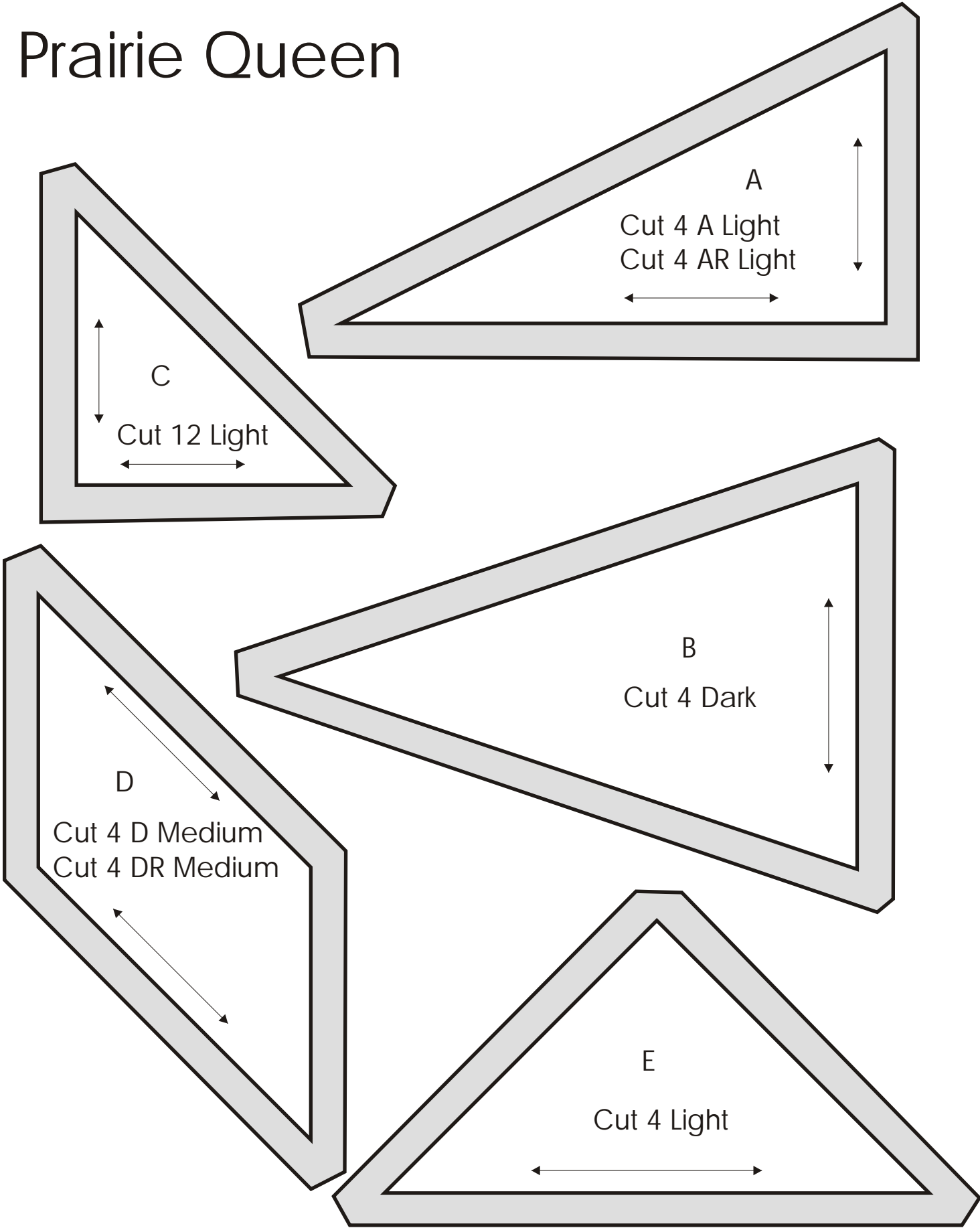
Note: Arrows indicate where the straight grain of fabric should be when placing templates. If there aren't any arrows use the written notes for layout instructions.



12 Inch Block



# Prairie Queen



# Prairie Queen

## Assembly Instructions

Make your templates, you can either make them with the 1/4" seam allowance included or without. I prefer without. Or you can make 2 sets of templates one with the seam allowance and one without.

Mark and cut the number of pieces of each unit as noted on each template. Watch your grain lines. Note: the R indicates that the template should be reversed (flipped over)

- 4 of - A - in a light fabric
- 4 of - AR - in a light fabric
- 4 of - B - in a dark fabric
- 12 of - C - in a light fabric
- 4 of - D - in a medium fabric
- 4 of - DR - in a medium fabric
- 4 of - E - in a light fabric
- 1 of - F - in a medium fabric

1. Start assembly of the block by piecing the 8 out of 9 units that make up this pattern. Begin with the corner units that use pattern pieces - A - AR - B - and one - C -. Sew the - A - and - AR - pieces to one Dark - B -. Be careful not to stretch the edges when sewing. Both seams are on the bias of the fabric and easily stretched.



Once you have the two - A - & - AR - pieces attached sew the - C - unit to the end of the Dark - B - unit. This completes one corner unit. Sew the 3 remaining corner units together in the same manner.



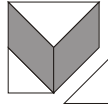
# Prairie Queen

## Instructions Continued

2. Next assemble the middle square unit of the top row. This unit uses two - C - pieces, and one each - D - & - DR - and one of the - E - units. Sew the - D - and - DR - pieces along the short edges of the - E - so that the group looks like this:



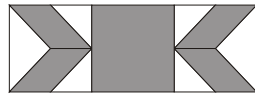
Next sew the two - C - pieces to the edges of the - D - and - DR - pieces. The finished square should look like the image below. Sew 4 of these units.



3. Next you will assemble the rows for the final block. Take 2 of the - A - AR - B - C - units and one of the - C - D - DR - E - unit. Sew one of the - A - AR - B - C - to each side of the - C - D - DR - E - unit as shown. Sew two rows with this layout.



The center row uses the two remaining - C - D - DR - E - units and the large - F - square. Attach one of the - C - D - DR - E - units to each side of the - F - square. Watch the orientation of the - D - DR - points, they should be pointed toward the center square.



4. Assemble the completed rows so that the block looks like this:

